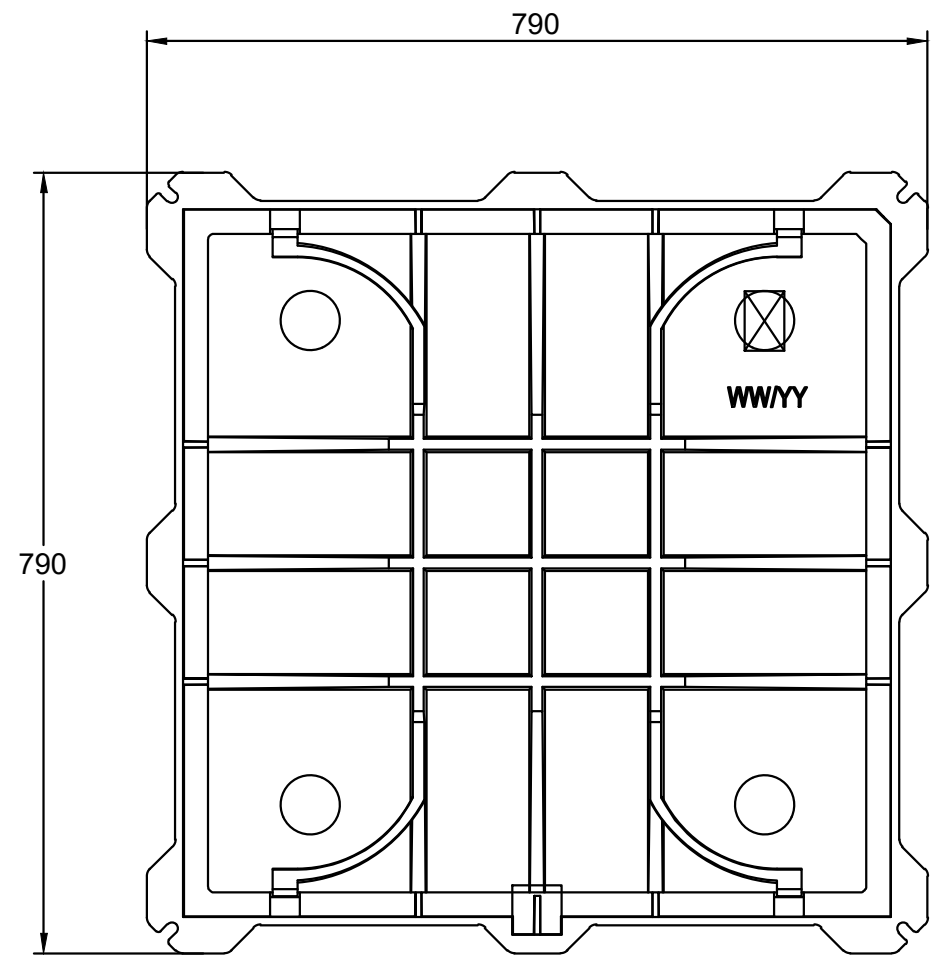
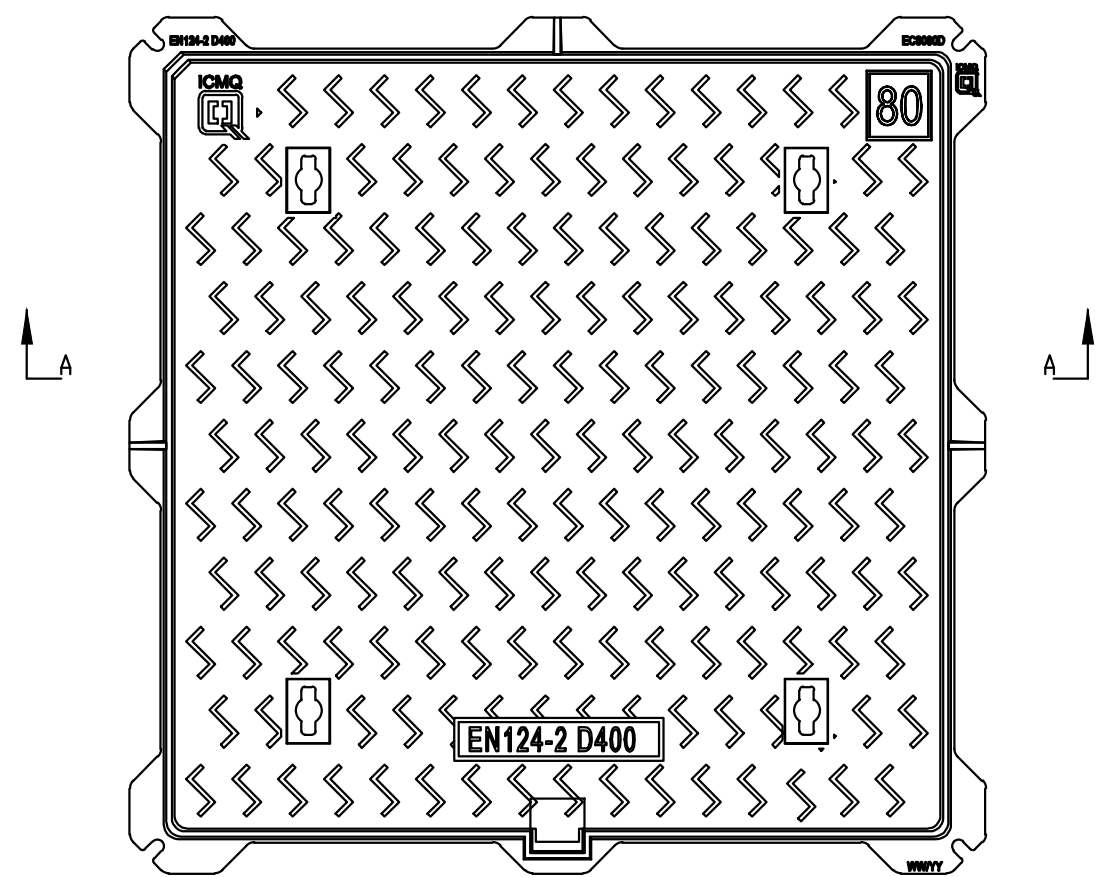
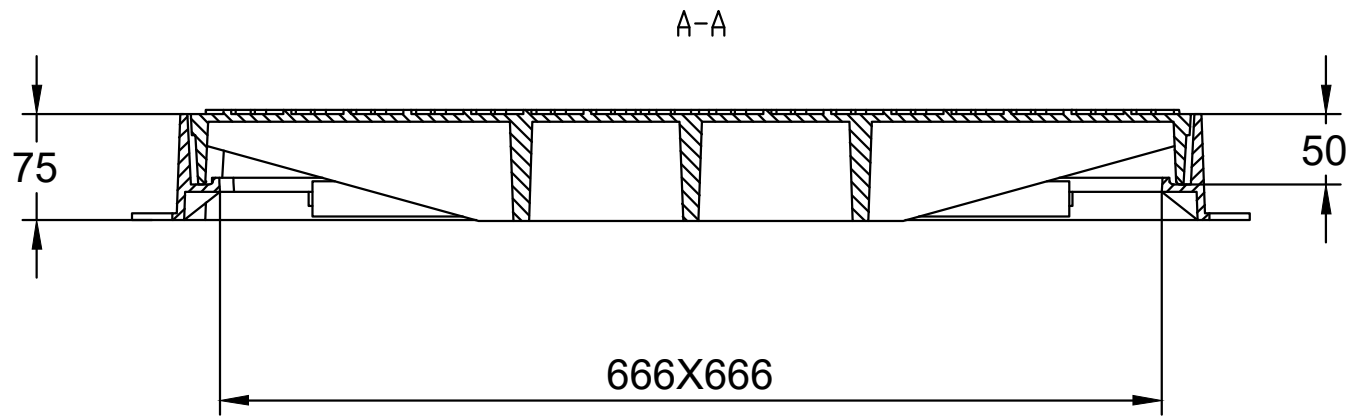


Utilizare primara
 Nr. de referinta
 Orig. Inv. NdSemnatura si data
 Repl. Inv. NdCopy inv. NoSemnatura si data



				Art.	EC8080D
Cover Cast Iron URBAN					
				Let.	Weight.[Kg]
				69.5	1:5
				Scale	1:5
				Sheet 1	Sheets 1
				Material	Cast Iron

	Name	Signature	Date
DRAWN	Leo Li		09.03.2021
CHK'D	Thomas Qin		
APPV'D	Tsyurak		
Modif.	Larisa Chitu		