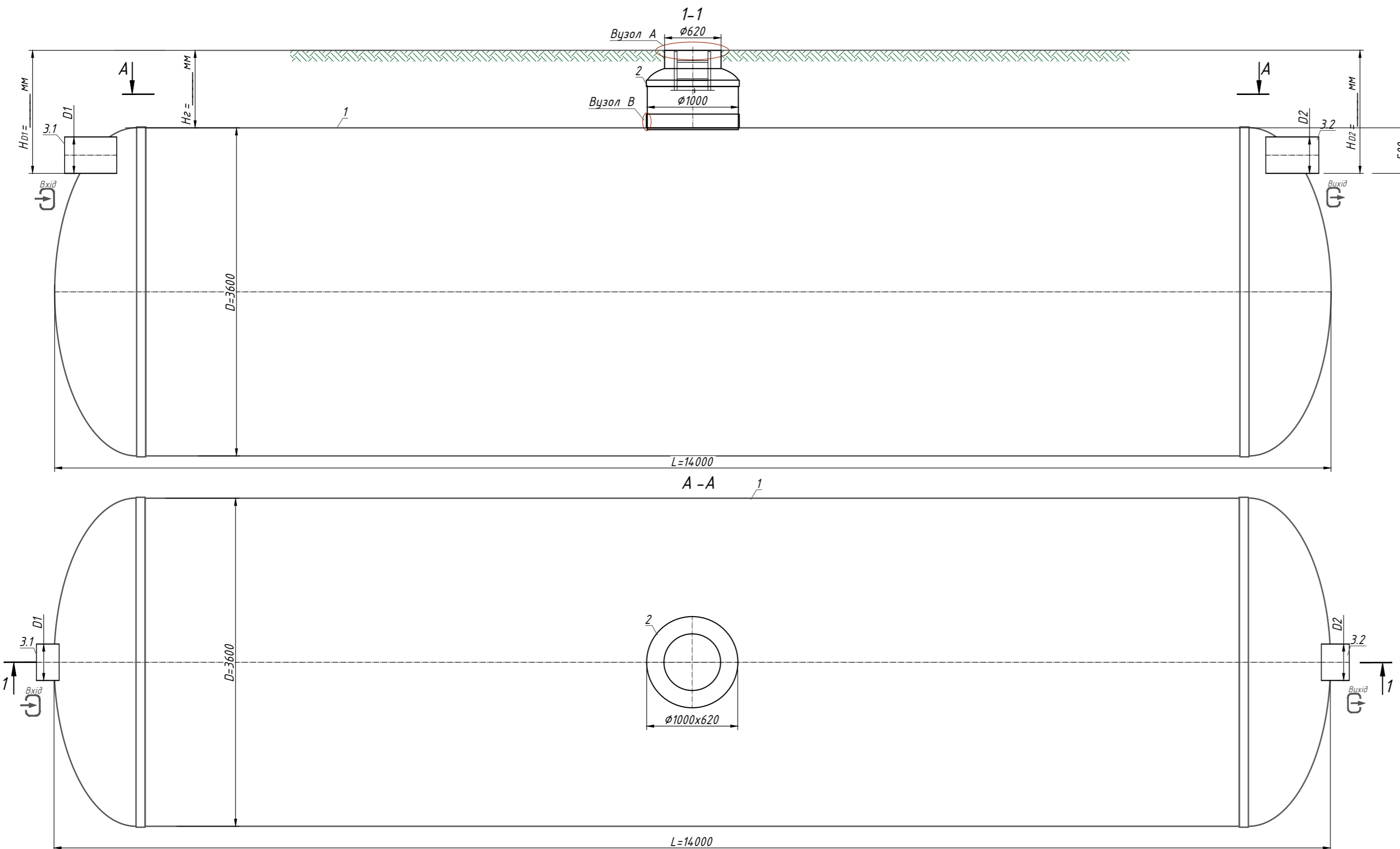
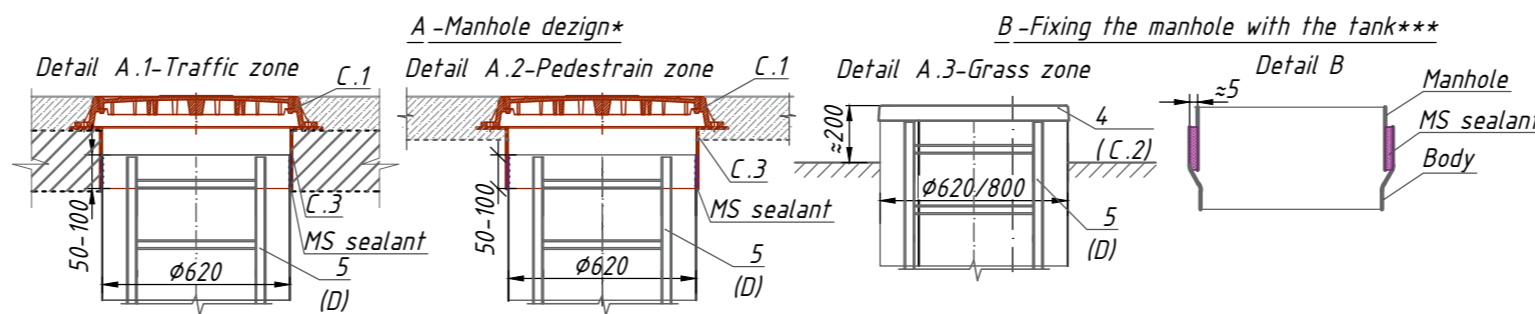


Technical liquid's Tank TT-140 (S 1:40)



Note:
 *H-depth of the inlet connection, mm (in standard equipment H up to 2000 mm). H take a multiple of 50mm.
 When filling the manhole A.1-the overall height of the product is less than 200mm; A.2-the total height of the product is bigger than 100mm.
 **The product is shipped according to Standard Equipment(Tabl.1), unless otherwise specified in the Additional (Tabl.2). The full configuration of the product is agreed with the manager.
 ***The manufacturer has the right to make constructive and pattern changes that do not worsen the characteristics of the product as a whole
 Permissible deviation during production of products is 1-3%.

Additional Information: _____



Specification of materials and equipment. Standard equipment ** (Tabl.1)

Pos.	Identification	Name	Q-ty	Mass pc. kg	Note
1	Vodaland	Technical liquid's Tank Vodaland Tank Technical-140, volume 140m ³ , horizontal, fiberglass, D=3600 mm L=14000 mm	1		compl.
2		Inspection manhole $\phi 1000 \times 620$	1		compl.
3.1,3.2	D1-Inlet pipe D2-Outlet pipe	Pipe PVC SN4 $\phi 400$	2		compl.

**The product is shipped according to Standard Equipment(Tabl.1), unless otherwise specified in the Additional (Tabl.2)

Additional equipment (Tabl.2)

Pos.	Identification	Name			Note	
A, B	D1-Inlet pipe/D2-Outlet pipe:		5	6		
		Pipework connection: D1, D2:	Socket end	<input type="checkbox"/>	<input type="checkbox"/>	
		Smooth end	<input type="checkbox"/>	<input type="checkbox"/>		
	Diameter D pipes D1,D2:	An.:	<input type="checkbox"/>	<input type="checkbox"/>		
		$\phi 90$	<input type="checkbox"/>	<input type="checkbox"/>		
		$\phi 160$	<input type="checkbox"/>	<input type="checkbox"/>		
C	C.1 Cover:	Manhole design (see A.1, A.2)				
		Garden plastic	<input type="checkbox"/>			
		Load class A15	<input type="checkbox"/>			
		Load class C250	<input type="checkbox"/>			
		Load class D400	<input type="checkbox"/>			
		C.2 Fiberglass cover $\phi 620$	<input type="checkbox"/>			
		C.3 Fiberglass adaptor plate $\phi 620, h=200mm$	<input type="checkbox"/>			
D	D.Universal ladder	Aluminum	<input type="checkbox"/>			
		s/s	<input type="checkbox"/>			
E	E.Fastening	Belt fastening	<input type="checkbox"/>			
F	F.Ventilation	Vent.pipe PVC SN4 $\phi 110$ with fungus	<input type="checkbox"/>			
G	G.Additional equipment	An.:	<input type="checkbox"/>			

Rev.	Q-ty	Sh.	Nºdoc.	Sign.	Date	Stage	Sheet	Sheets
						Technical liquid's Tank TT-140		