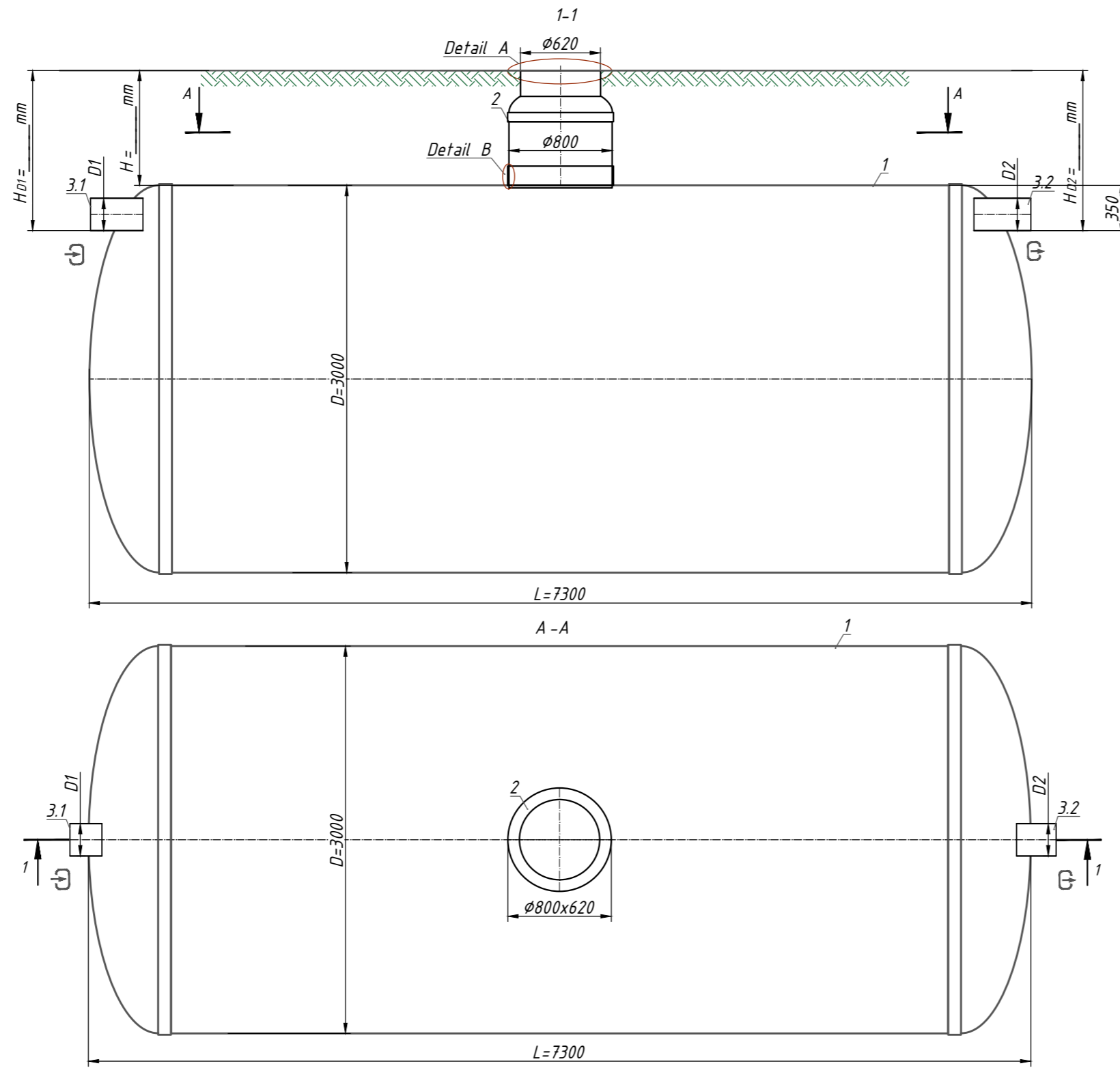


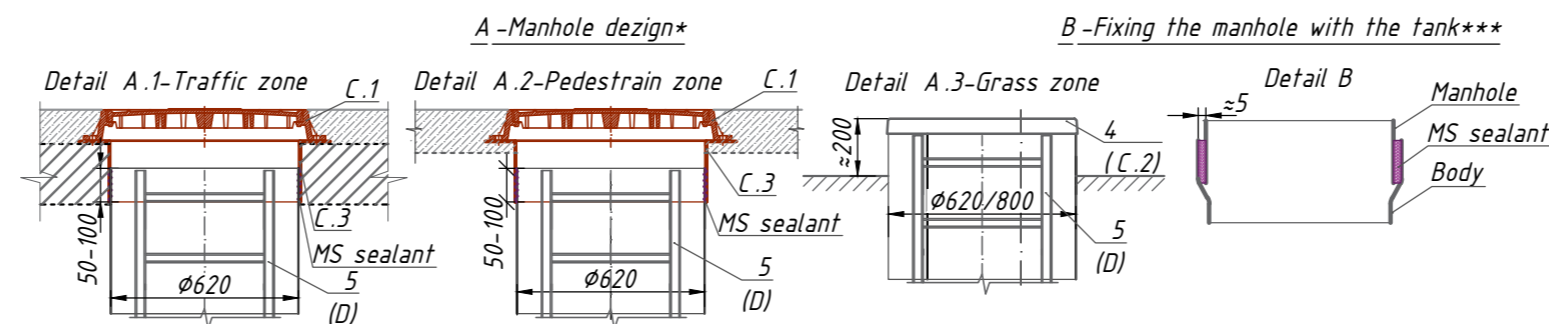
Technical liquid's Tank TT-50 (S 1:40)



Note:

\*H-depth of the inlet connection, mm (in standard equipment H up to 2000 mm). H take a multiple of 50mm.  
 When filling the manhole A.1-the overall height of the product is less than 200mm; A.2-the total height of the product is bigger than 100mm.  
 \*\*The product is shipped according to Standard Equipment(Tabl.1), unless otherwise specified in the Additional (Tabl.2). The full configuration of the product is agreed with the manager.  
 \*\*\*The manufacturer has the right to make constructive and pattern changes that do not worsen the characteristics of the product as a whole  
 Permissible deviation during production of products is 1-3%.

Additional Information: \_\_\_\_\_



Specification of materials and equipment. Standard equipment \*\* (Tabl.1)

Pos.	Identification	Name	Q-ty	Mass pc. kg	Note
1	Vodaland	Technical liquid's Tank Vodaland Tank Technical-50, volume 50m <sup>3</sup> , horizontal, fiberglass, D=3000 mm L=7300 mm	1		compl.
2		Inspection manhole ø800x620	1		compl.
3.1,3.2	D1-Inlet pipe D2-Outlet pipe	Pipe PVC SN4 ø 250	2		compl.

\*\*The product is shipped according to Standard Equipment(Tabl.1), unless otherwise specified in the Additional (Tabl.2)

Additional equipment (Tabl.2)

Pos.	Identification	Name			Note	
A, B	D1-Inlet pipe/D2-Outlet pipe:	☎	☎			
		☎	☎			
	Pipework connection: D1, D2:	Socket end	<input type="checkbox"/>	<input type="checkbox"/>		
		Smooth end	<input type="checkbox"/>	<input type="checkbox"/>		
		An.:	<input type="checkbox"/>	<input type="checkbox"/>		
		Diameter D pipes D1,D2:	ø90	<input type="checkbox"/>	<input type="checkbox"/>	
	ø160	<input type="checkbox"/>	<input type="checkbox"/>			
	An.:	<input type="checkbox"/>	<input type="checkbox"/>			
C	Manhole design (see A.1, A.2)					
	C.1 Cover:	Garden plastic	<input type="checkbox"/>			
		Load class A15	<input type="checkbox"/>			
		Load class C250	<input type="checkbox"/>			
		Load class D400	<input type="checkbox"/>			
	C.2	Fiberglass cover ø620	<input type="checkbox"/>			
		C.3 Fiberglass adaptor plate	ø620, h=200mm	<input type="checkbox"/>		
None			<input type="checkbox"/>			
	An.:	<input type="checkbox"/>				
D	D.Universal ladder	Aluminum	<input type="checkbox"/>			
		s/s	<input type="checkbox"/>			
E	E.Fastening	Belt fastening	<input type="checkbox"/>			
F	F.Ventilation	Vent.pipe PVC SN4 ø110 with fungus	<input type="checkbox"/>			
		An.:	<input type="checkbox"/>			
G	G.Additional equipment		<input type="checkbox"/>			
			<input type="checkbox"/>			

Rev.	Q-ty	Sh.	Nºdoc.	Sign.	Date	Stage	Sheet	Sheets
Technical liquid's Tank TT-50								