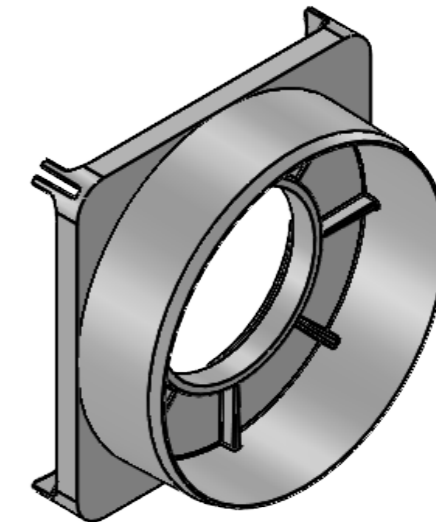
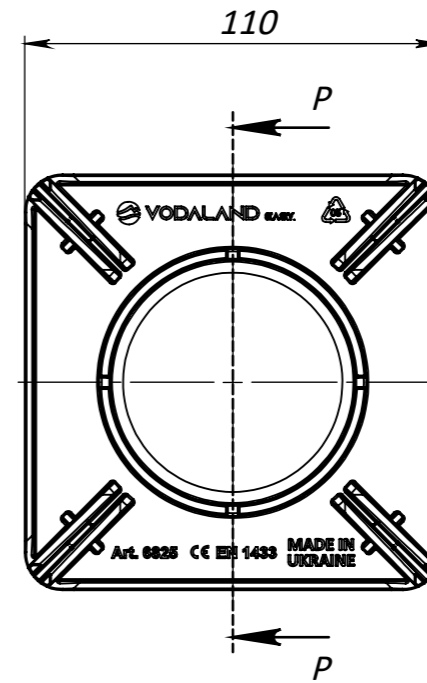
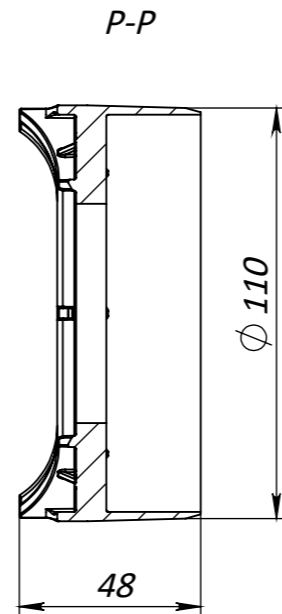
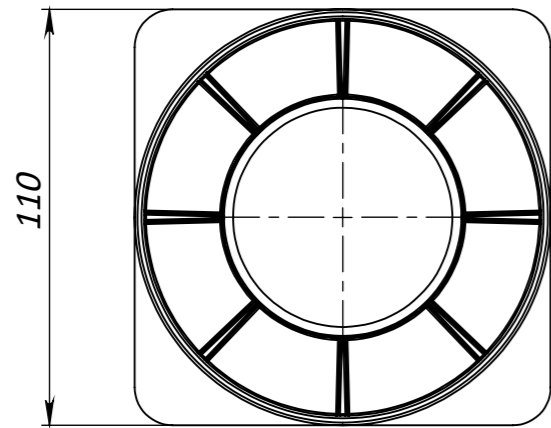


A (3 : 5)

1. Deviation of the actual weight of the nominal can be up to 8%
2. Area of water intake slots 279,4 sq cm

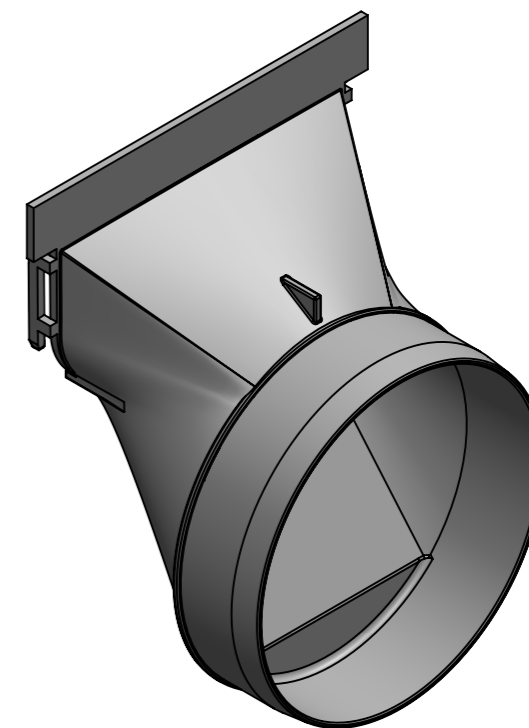
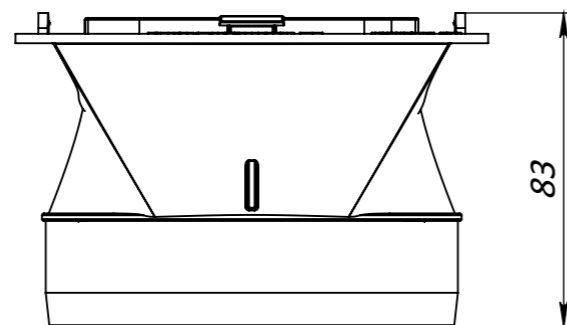
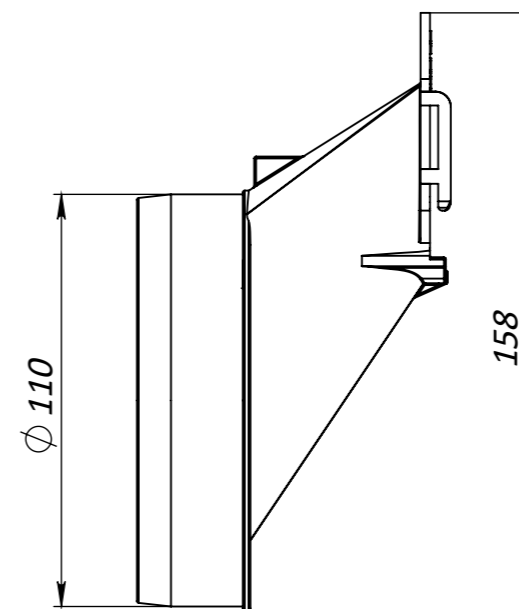
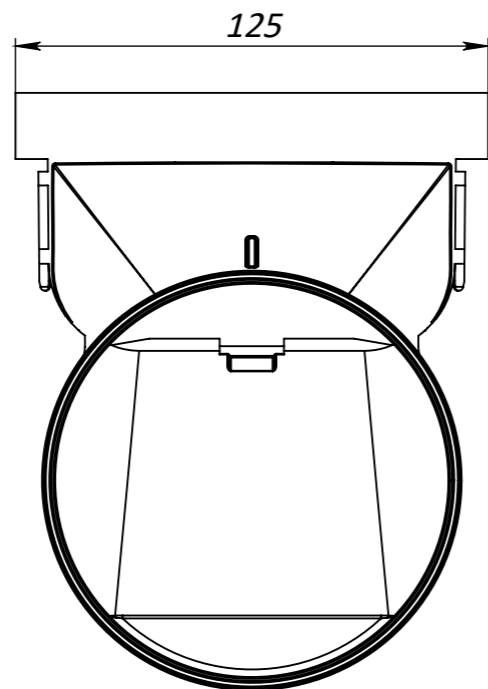
Colour palette Plastic Channels EASY 2	
Product code	Product colour
08818 - N	Black
08818 - V	Green
08818 - G	Grey
08818 - GI	Dark Grey
08818 - NS	Sand
08818 - A	White

UNLESS OTHERWISE SPECIFIED: DIMENSIONS ARE IN MILLIMETERS SURFACE FINISH: TOLERANCES: ISO 2768-c LINEAR: ANGULAR:				FINISH:		DO NOT SCALE DRAWING		REVISION	
DRAWN: LIL				SIGNATURE:		DATE: 05.10.22		TITLE:	
CHK'D: LMK				APPV'D:		MFG:		Plastic channel Easy 2 DN100 H70 with plastic grate A15 black	
Q.A:				MATERIAL:		ARTICLE:		Load class: A15	
				WEIGHT: 1,24 kg		SCALE: 1:5		ARTICLE: 08818	
						SHEET 1 OF 1		A3	




1. Deviation of the actual weight of the nominal can be up to 8%

UNLESS OTHERWISE SPECIFIED: DIMENSIONS ARE IN MILLIMETERS SURFACE FINISH: TOLERANCES: ISO 2768-c LINEAR: ANGULAR:				FINISH:		DO NOT SCALE DRAWING		REVISION	
DRAWN <i>LIL</i>				SIGNATURE		DATE		TITLE:	
CHK'D <i>LMK</i>						01.08.22		Bottom outlet nozzle for channel Easy 2	
APPV'D								ARTICLE:	
MFG								6825	
Q.A								A3	
				MATERIAL:		Plastic		SCALE: 1:2	
				WEIGHT: 59 g				SHEET 1 OF 1	



1. Deviation of the actual weight of the nominal can be up to 8%

UNLESS OTHERWISE SPECIFIED: DIMENSIONS ARE IN MILLIMETERS SURFACE FINISH: TOLERANCES: ISO 2768-c LINEAR: ANGULAR:				FINISH:		DO NOT SCALE DRAWING		REVISION	
									
DRAWN <i>L/L</i>				SIGNATURE		DATE		TITLE:	
CHK'D <i>LMK</i>						01.11.22		Plastic end cap for channel Easy 2 DN100 H70 with outlet 110	
APPV'D								ARTICLE:	
MFG								682109	
Q.A								A3	
				MATERIAL:		Plastic		SCALE: 1:2	
				WEIGHT: 72 g				SHEET 1 OF 1	