

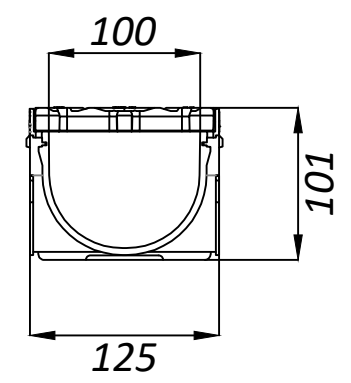
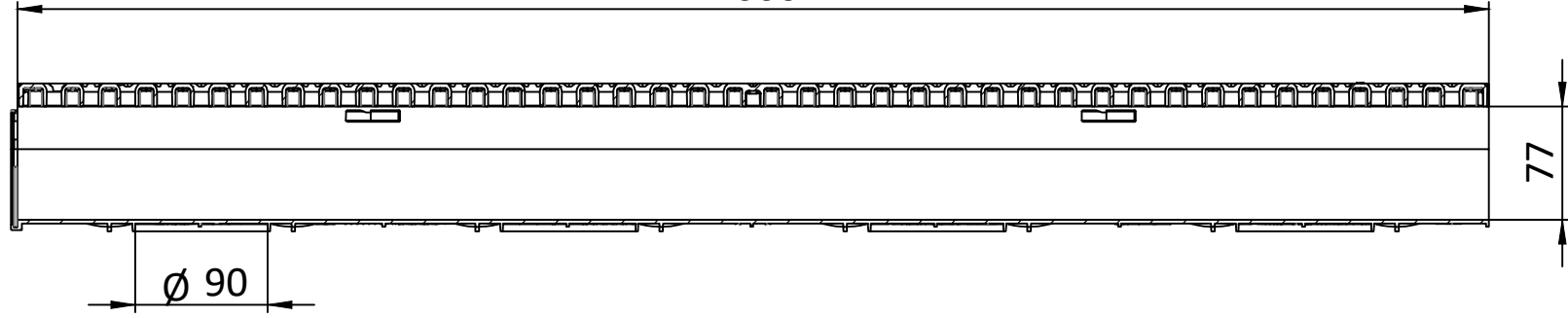
8 7 6 5 4 3 2

F

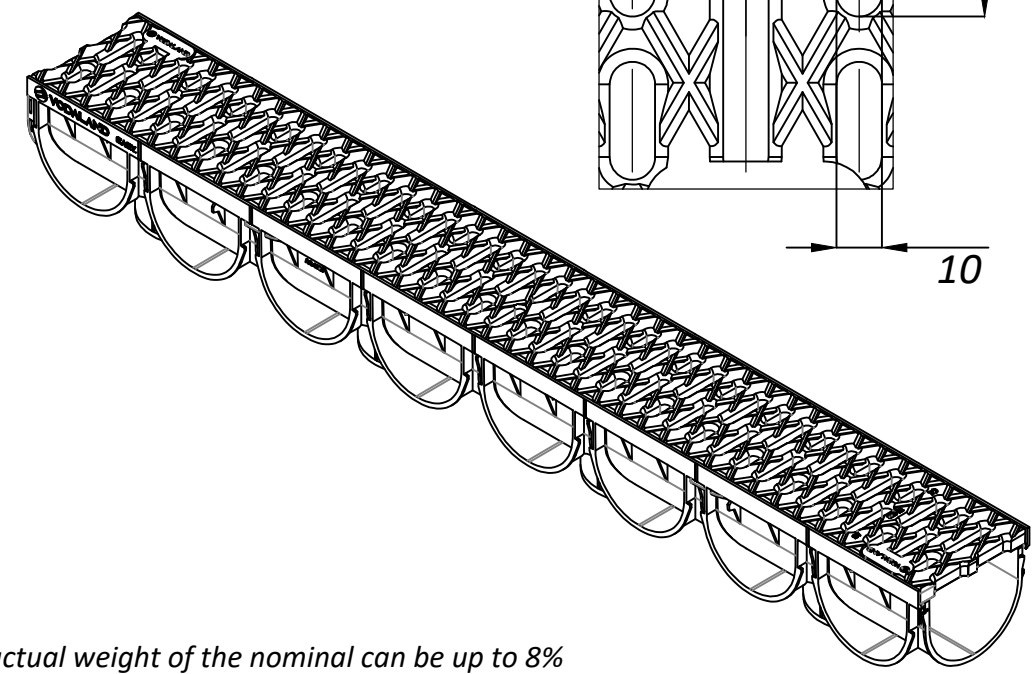
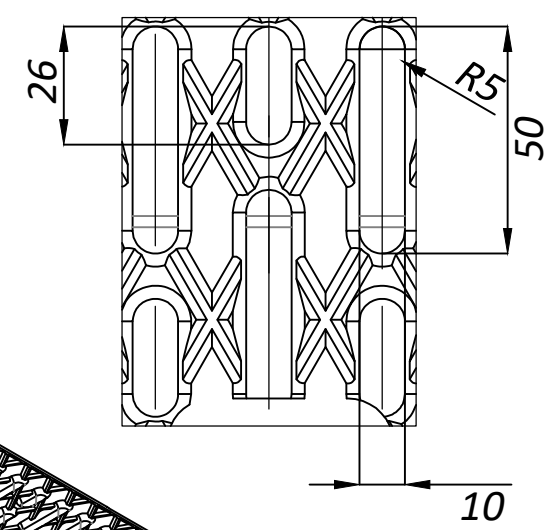
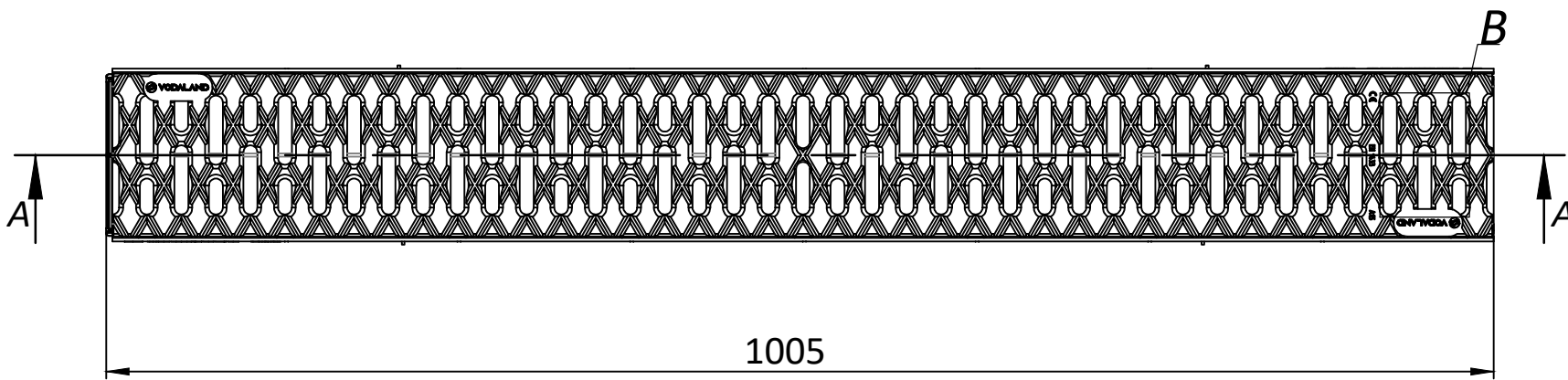
F

A-A

1000



B (3 : 5)



D

D

C

C

Colour palette Plastic Channels PP EASY 3

Product code	Product colour
088208 - N	Black
088208 - V	Green
088208 - G	Grey
088208 - GI	Dark Grey
088208 - NS	Sand
088208 - A	White

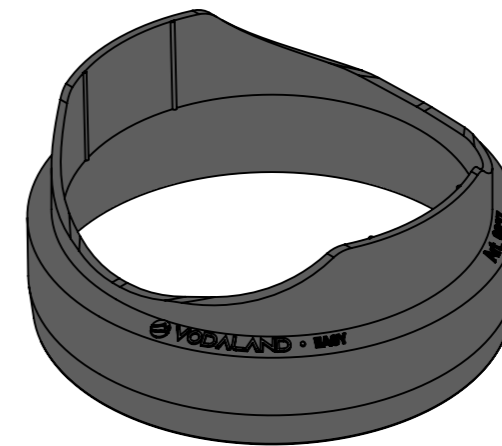
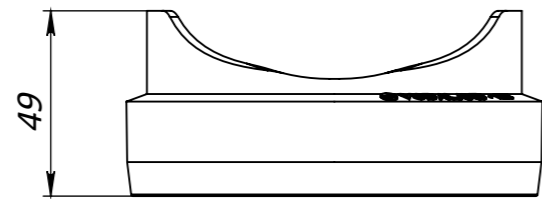
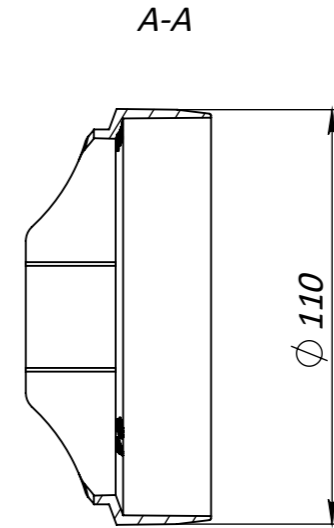
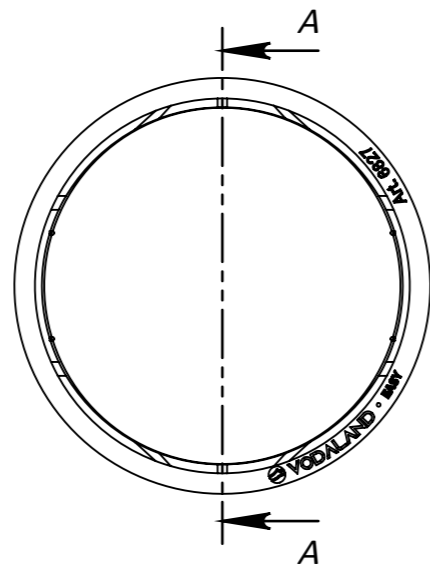
1. Deviation of the actual weight of the nominal can be up to 8%
2. Area of water intake slots 279,4 sq cm

UNLESS OTHERWISE SPECIFIED: DIMENSIONS ARE IN MILLIMETERS SURFACE FINISH: TOLERANCES: ISO 2768-c LINEAR: ANGULAR:				FINISH:		DO NOT SCALE DRAWING		REVISION	
DRAWN: LIL				SIGNATURE		DATE: 07.10.22		TITLE: Plastic channel Easy 3 DN100 H100 with plastic slotted grate A15	
CHK'D: LMK								Load class: A15	
APPV'D:								ARTICLE: 088208	
MFG:								A3	
Q.A:						MATERIAL:		SCALE: 1:5	
						WEIGHT: 1,5 kg		SHEET 1 OF 1	

A

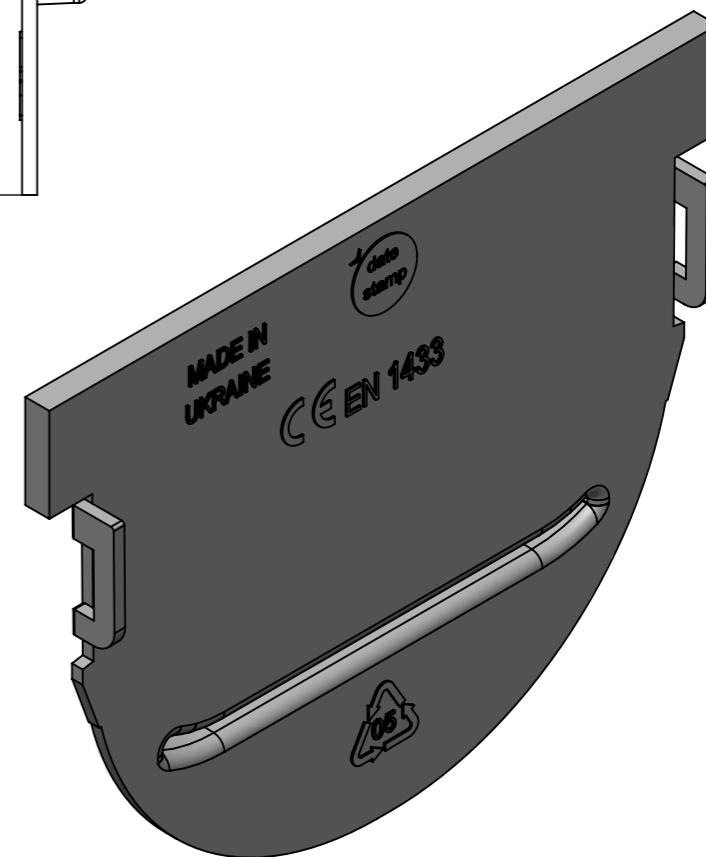
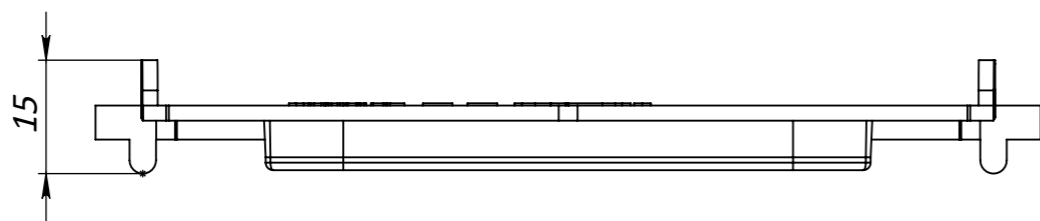
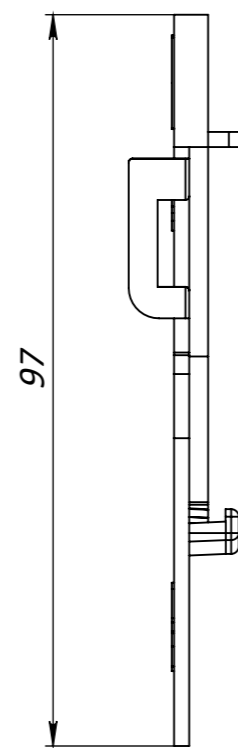
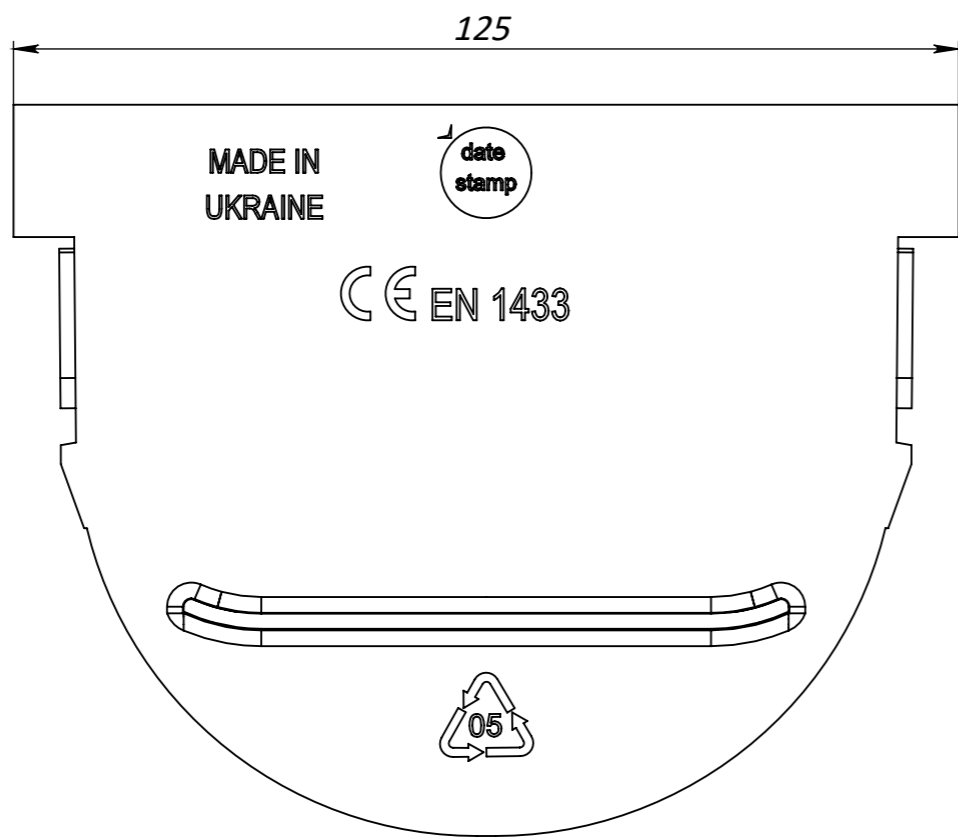
A

8 7 6 5 4 3 2



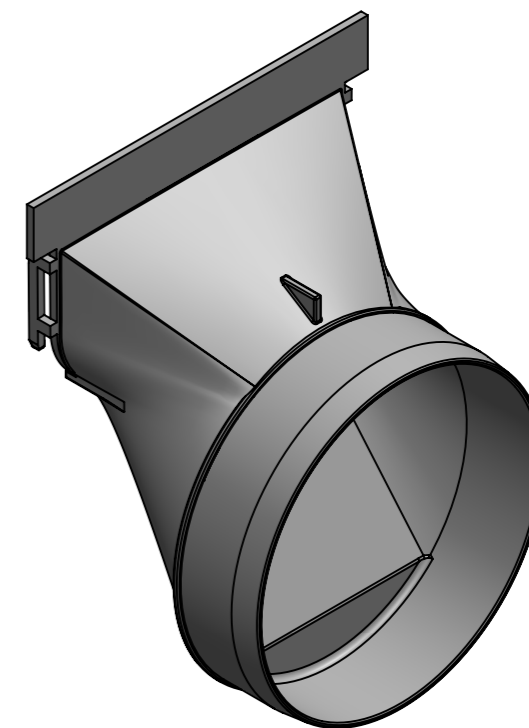
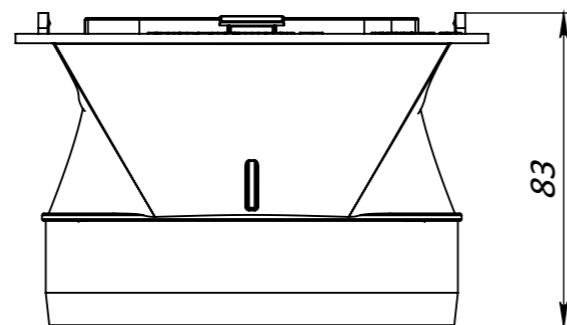
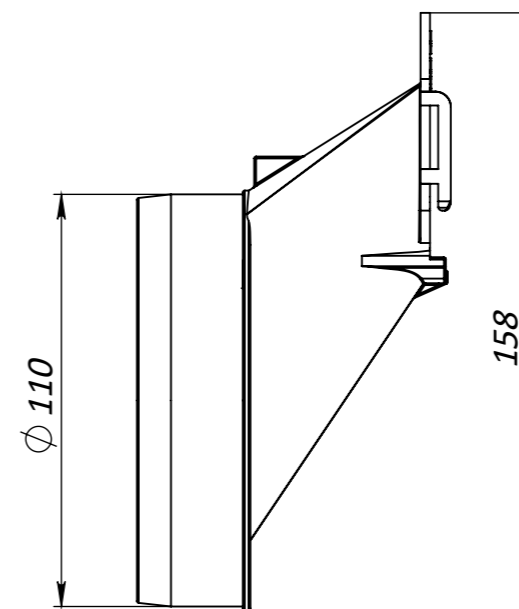
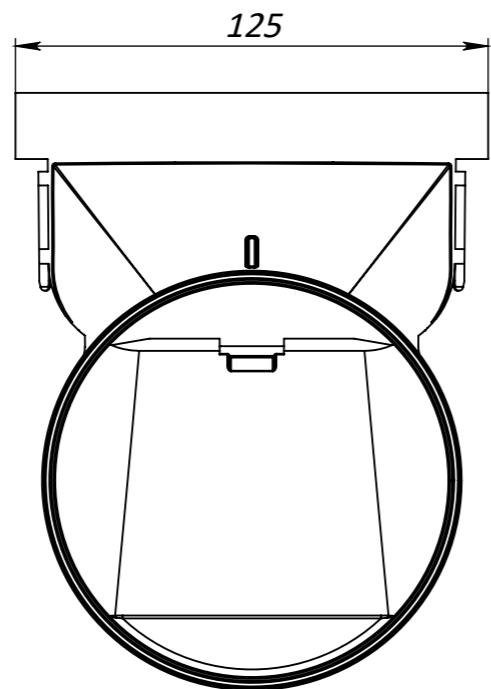
1. Deviation of the actual weight of the nominal can be up to 8%

UNLESS OTHERWISE SPECIFIED: DIMENSIONS ARE IN MILLIMETERS SURFACE FINISH: TOLERANCES: ISO 2768-c LINEAR: ANGULAR:				FINISH:		DO NOT SCALE DRAWING		REVISION	
						TITLE: Bottom outlet nozzle for channel Easy 3			
DRAWN <i>L/L</i>				SIGNATURE		DATE 03.11.22			
CHK'D <i>LMK</i>									
APPV'D									
MFG									
Q.A						MATERIAL: Plastic		ARTICLE: 6827	
						WEIGHT: 27,9 g		SCALE: 1:2	
								SHEET 1 OF 1	
								A3	



1. Deviation of the actual weight of the nominal can be up to 8%

UNLESS OTHERWISE SPECIFIED: DIMENSIONS ARE IN MILLIMETERS SURFACE FINISH: TOLERANCES: ISO 2768-c LINEAR: ANGULAR:				FINISH:		DO NOT SCALE DRAWING		REVISION	
						TITLE: Plastic end cap-adapter for channel Easy 2-3 DN100 H100			
						ARTICLE: 6829		A3	
				MATERIAL: Plastic		SCALE: 1:1		SHEET 1 OF 1	
				WEIGHT: 19,8 g					
DRAWN <i>LIL</i>		SIGNATURE		DATE 01.11.22					
CHK'D <i>LMK</i>									
APPV'D									
MFG									
Q.A									



1. Deviation of the actual weight of the nominal can be up to 8%

UNLESS OTHERWISE SPECIFIED: DIMENSIONS ARE IN MILLIMETERS SURFACE FINISH: TOLERANCES: ISO 2768-c LINEAR: ANGULAR:				FINISH:		DO NOT SCALE DRAWING		REVISION	
						TITLE: Plastic end cap for channel Easy 2 DN100 H70 with outlet 110			
						ARTICLE: 682109		A3	
				MATERIAL: Plastic		SCALE: 1:2		SHEET 1 OF 1	
				WEIGHT: 72 g					
DRAWN	L/L	SIGNATURE	DATE						
CHK'D	LMK		01.11.22						
APPV'D									
MFG									
Q.A									