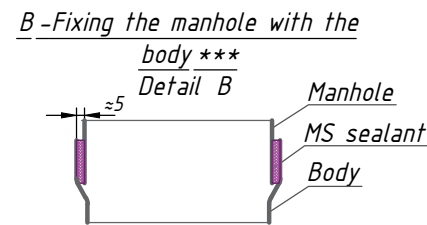
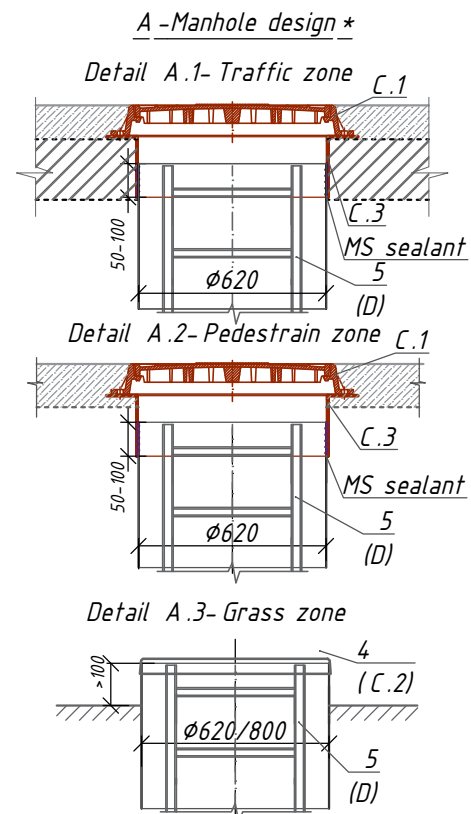
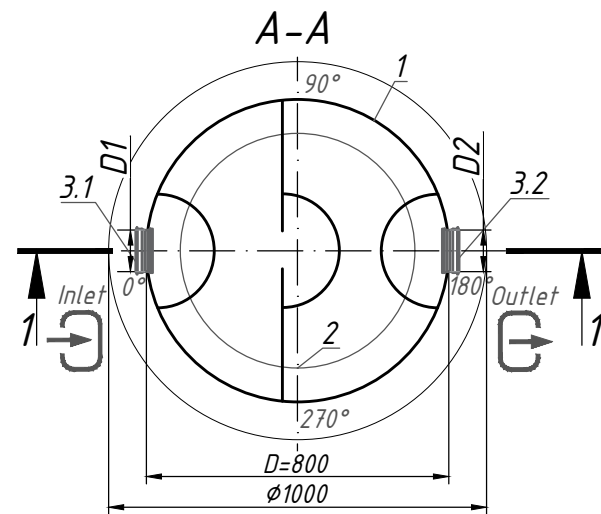
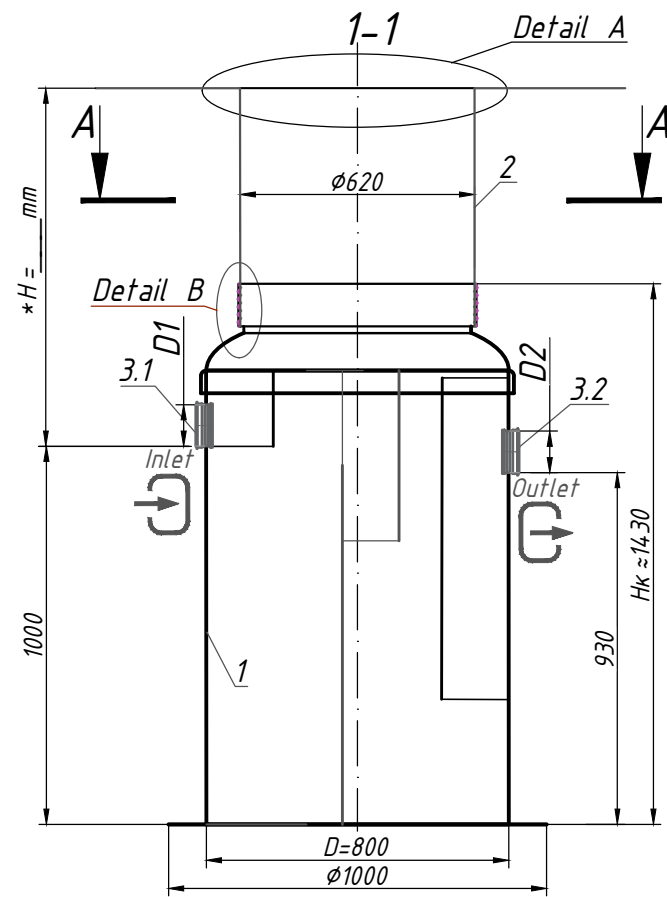
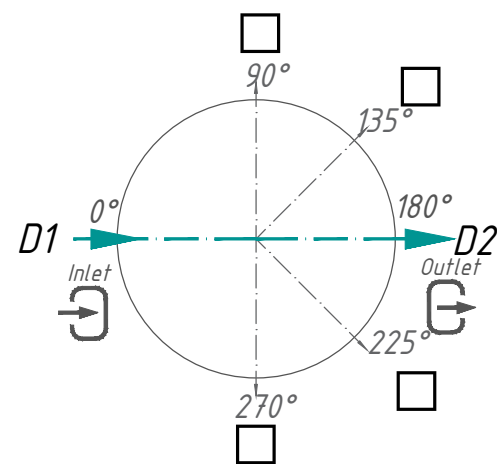


Grease Separator with a sludge double trap GPro-1 (S 1:20)



C - Pipes location D1-inlet / D2-outlet on plan



Note:  
 \*H-depth of the inlet connection, mm (in standard equipment H up to 2000 mm). H take a multiple of 50mm.  
 When filling the manhole A.1 - the overall height of the product is less than 200mm; at the design of the manhole A.2 - the total height of the product is bigger than 100 mm.  
 \*\*The product is shipped in accordance with the Standard equipment (Tabl. 1), nless otherwise specified in the Additional equipment (Tabl. 2). The complete set of the product agrees with the manager.  
 \*\*\*The manufacturer has the right to make constructive and pattern changes that do not worsen the characteristics of the product as a whole  
 Permissible deviation during production of products is 1-3%.

Additional equipment: \_\_\_\_\_

Specification of materials and equipment Standard equipment \*\* (Tabl. 1)

Pos.	Identification	Name	Q-ty	Mass.pc .kg	Note
1	Vodaland	Grease Separator Vodaland GreasePro- 1 with a sludge double trap, disch 1l/s, fiberglass D=800 Hκ=1430 mm	1	80	compl.
2		Inspection manhole φ 620	1		compl.
3.1	D1-Inlet pipe	Rubber seal for connection PVC SN4 φ 110	1		compl.
3.2	D2-Outlet pipe	Rubber seal for connection PVC SN4 φ 110	1		compl.
		Volume of light liquids	95		l
		Volume of sludge trap	206		l

\*\*The product is shipped in accordance with the Standard equipment (Tabl. 1), nless otherwise specified in the Additional equipment (Tabl. 2)

Additional equipment (Tabl. 2)

Pos.	Identification	Name	Note
A, B	D1-Inlet pipe / D2-Outlet pipe:		<input type="checkbox"/> <input type="checkbox"/>
	For connection D1, D2:	Funnel	<input type="checkbox"/> <input type="checkbox"/>
		Smooth end	<input type="checkbox"/> <input type="checkbox"/>
		Another:	<input type="checkbox"/> <input type="checkbox"/>
C	Diametr D pipes D1, D2:	φ90	<input type="checkbox"/> <input type="checkbox"/>
		φ160	<input type="checkbox"/> <input type="checkbox"/>
		Another:	<input type="checkbox"/> <input type="checkbox"/>
		Manhole design (see A.1, A.2)	
C	C.1 Cover:	Garden plastic	<input type="checkbox"/>
		Load class A 15	<input type="checkbox"/>
		Load class C 250	<input checked="" type="checkbox"/>
	C.2	Load class D400	<input type="checkbox"/>
		Fiberglass cover φ620	<input type="checkbox"/>
C.3 Fiberglass adaptor plate	φ620, h=200mm	<input checked="" type="checkbox"/>	
D	D. Universal ladder	Aluminium	<input type="checkbox"/>
		s/s	<input type="checkbox"/>
E	E. Level sensor	Oil	<input type="checkbox"/>
		Sludge	<input type="checkbox"/>
F	F. Fastening	Belt fastening for D 800	<input type="checkbox"/>

Chan.	Q-ty	Sheet	Nºdoc.	Signature	Date	Phase	Sheet	Sheets
Grease Separator GPro-1 (GP- 1)								