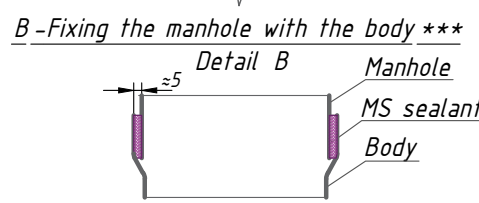
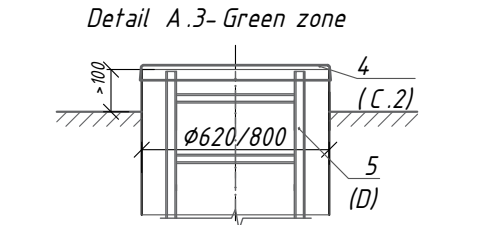
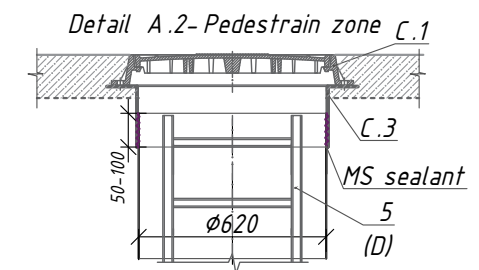
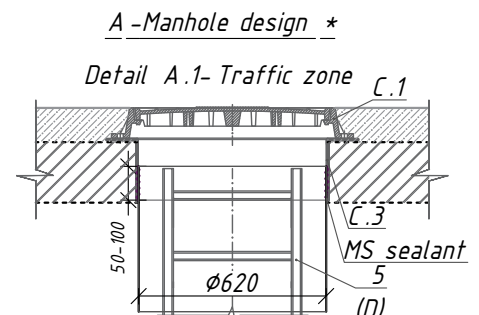
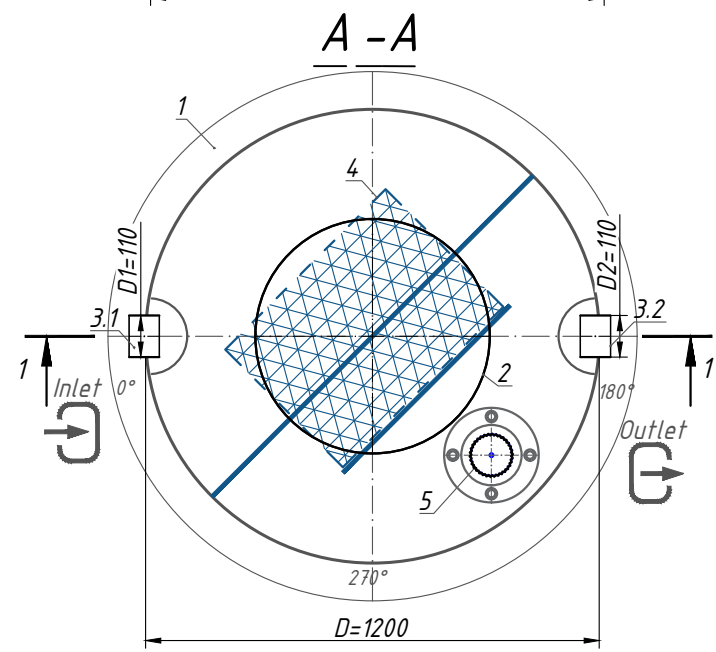
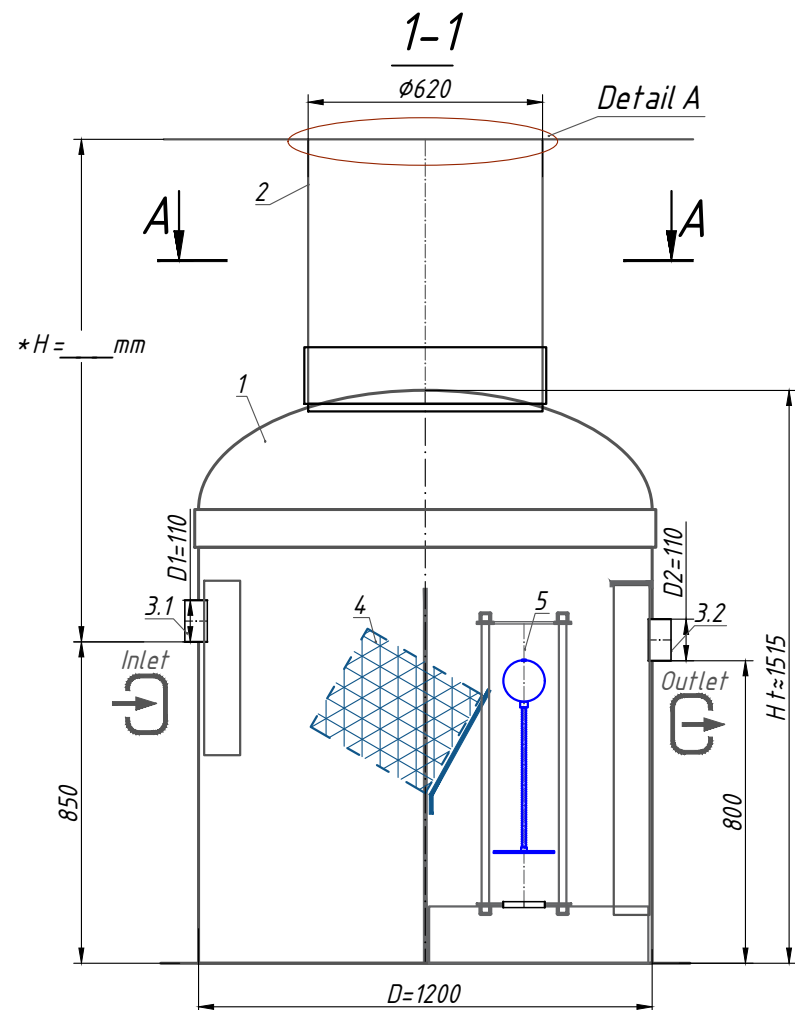
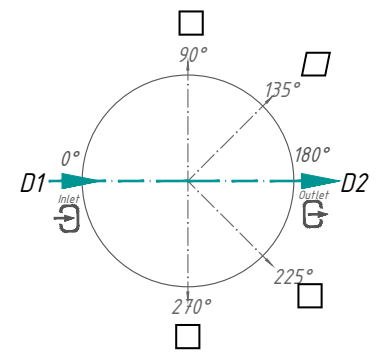


Oil and sand Separator OilBase100-3/0 (M 1:20)



C - Pipes location D1- Inlet / D2- Outlet on plan

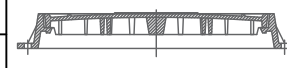
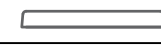
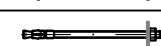



Specification of materials and equipment. Standard equipment ** (Tabl. 1)

Pos.	Identification	Name	Q-ty	Mass pc.,kg	Note
1	Vodaland	Oil and sand Separator Vodaland OilBase100-3/0, disch. 3l/s, (0 l/s -ByPass) fiberglass, D=1200, Ht=1515 mm	1	136	compl.
2		Inspection manhole Ø800 / 620	0/ 1		compl.
3,1,3,2	D1-Inlet / D2-Outlet	Rubber seal for connection PVC SN4 Ø 110	2		compl.
4		Coalescent block	1		compl.
5		Automatic locking device D110	1		compl.
		Volume of light liquids	150		l
		Volume of sludge trap	300		l

**The product is shipped according to Standard Equipment (Tabl. 1), unless otherwise specified in the Additional Equipment (Tabl. 2)

Additional equipment (Tabl. 2)

Pos.	Identification	Name			Note
A, B	A.For connection D1, D2:	D1-Inlet / D2-Outlet:	☐	☐	   
		PVC	☐	☐	
		PE 100	☐	☐	
		Corsis	☐	☐	
		D1 _____ / D2 _____	☐	☐	
C	C.1 Cover:	Manhole design (see A.1, A.2, A.3)			
		Garden plastic	☐		
		Load class A15	☐		
		Load class C250	☐		
C.2 Fiberglass cover:	Load class D400	☐			
	φ620	☐			
	φ620, h=200 mm	☐			
D	D. Universal ladder	Another: _____	☐		
		Aluminium	☐		
E	E. Fastening	s/s	☐		
		Belt fastening for	☐		
H	H. Level sensor	Sludge	☐		
		Oil	☐		
		Another: _____	☐		

Note:
 *H-depth of the inlet connection, mm (in standard equipment H up to 2000 mm). H take a multiple of 50mm.
 When filling the manhole A.1-the overall height of the product is less than 200mm; A.2-the total height of the product is bigger than 100 mm.
 **The product is shipped according to Standard Equipment (Tabl. 1), unless otherwise specified in the Additional Equipment (Tabl. 2). The complete set of the product agrees with the manager.
 ***The product is shipped according to Standard Equipment (Tabl. 1), unless otherwise specified in the Additional (Tabl. 2) Permissible deviation during production of products is 1-3%.

Additional Information:

Rev.	Q-ty	Sh.	Nºdoc.	Sign.	Date

Stage	Sheet	Sheets

Oil and sand Separator OilBase100-3/0 (OB1-3)

