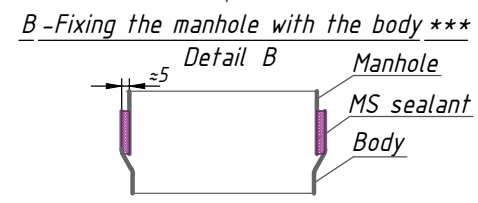
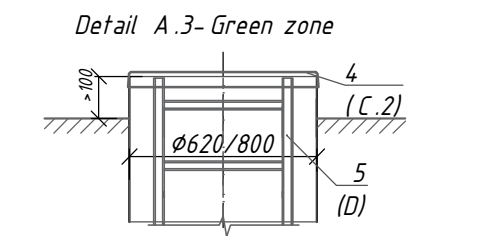
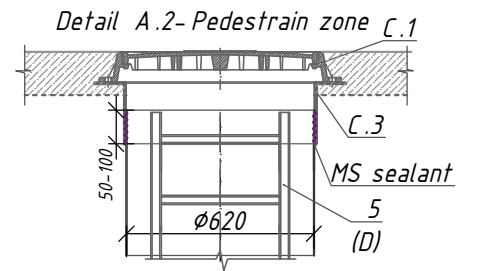
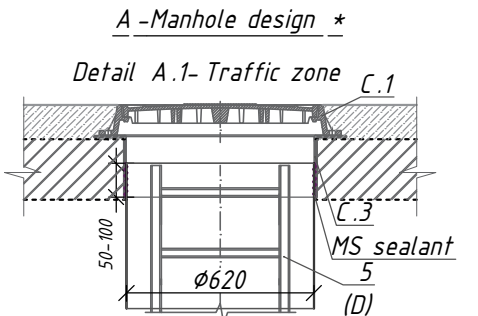
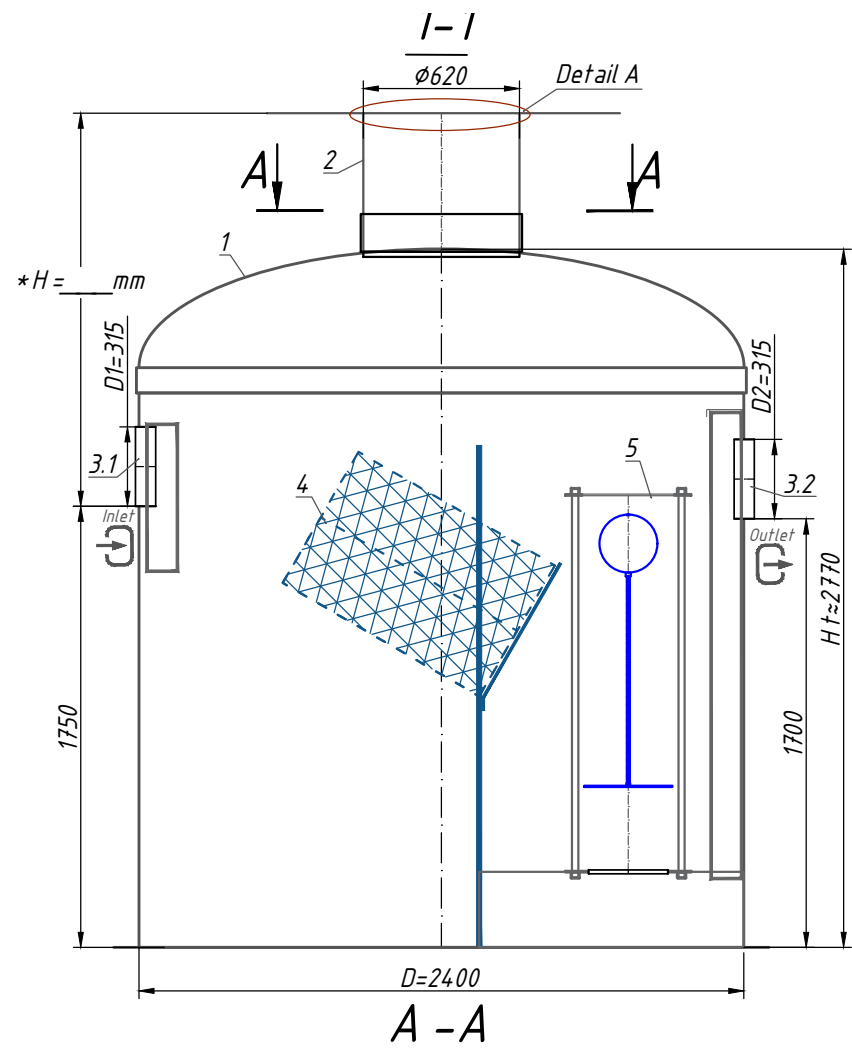
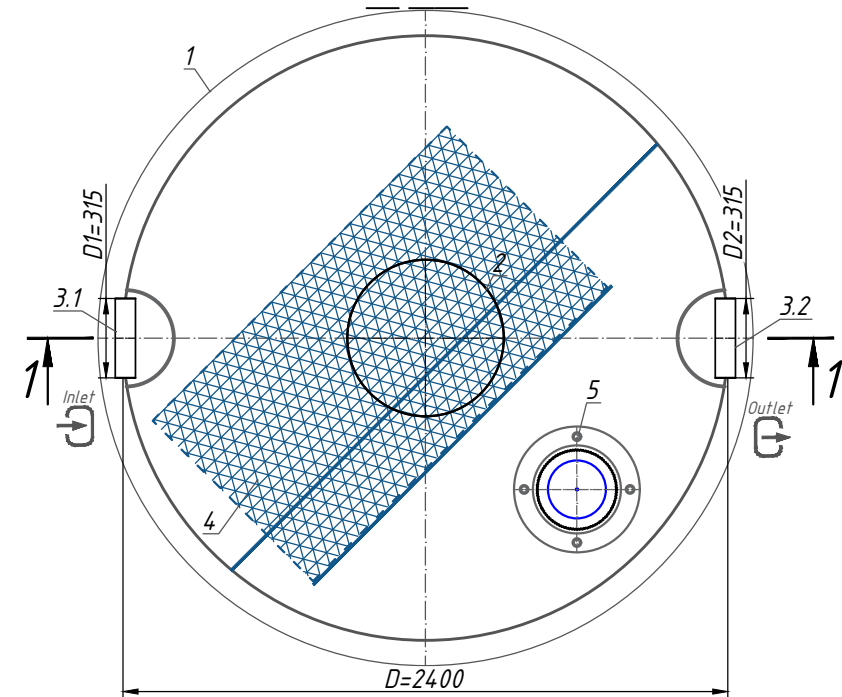
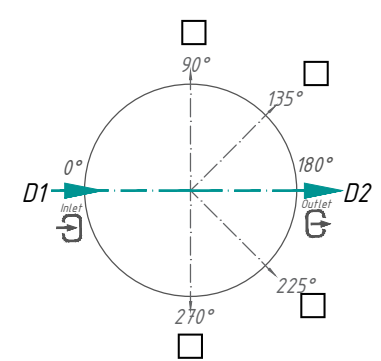


Oil and sand Separator OilBase100-40/0 (M 1:30)



C - Pipes location D1- Inlet / D2- Outlet on plan



Specification of materials and equipment. Standard equipment ** (Tabl. 1)

Pos.	Identification	Name	Q-ty	Mass pc.,kg	Note
1	Vodaland	Oil and sand Separator Vodaland OilBase100-40/0, disch. 40l/s, (0 l/s -ByPass) fiberglass, D= 2400, Ht= 2770 mm	1	685	compl.
2		Inspection manhole 800 / 620	0/ 1		compl.
3,1,3,2	D1-Inlet / D2-Outlet	Rubber seal for connection PVC SN4 315	2		compl.
4		Coalescent block	1		compl.
5		Automatic locking device D315	1		compl.
		Volume of light liquids	2000		l
		Volume of sludge trap	4000		l

**The product is shipped according to Standard Equipment (Tabl. 1), unless otherwise specified in the Additional Equipment (Tabl. 2)

Additional equipment (Tabl. 2)

Pos.	Identification	Name	Note
A, B	D1-Inlet / D2-Outlet:	<input type="checkbox"/> <input type="checkbox"/>	
	A.For connection D1, D2:	PVC <input type="checkbox"/> PE 100 <input type="checkbox"/> Corsis <input type="checkbox"/>	
	B.Diameter D1, D2:	D1 _____ / D2 _____ <input type="checkbox"/> Another: _____ <input type="checkbox"/>	
C	Manhole design (see A.1, A.2, A.3)		
	C.1 Cover:	Garden plastic <input type="checkbox"/> Load class A15 <input type="checkbox"/> Load class C250 <input type="checkbox"/> Load class D400 <input type="checkbox"/>	
	C.2 Fiberglass cover:	620 <input type="checkbox"/>	
	C.3 Fiberglass adaptor plate:	620, h=200 mm <input type="checkbox"/> Another: _____ <input type="checkbox"/>	
D	D. Universal ladder	Aluminium <input type="checkbox"/> s/s <input type="checkbox"/>	
E	E. Fastening	Belt fastening for <input type="checkbox"/>	
H	H. Level sensor	Sludge <input type="checkbox"/> Oil <input type="checkbox"/> Another: _____ <input type="checkbox"/>	

Note:
 *H-depth of the inlet connection, mm (in standard equipment H up to 2000 mm). H take a multiple of 50mm.
 When filling the manhole A.1-the overall height of the product is less than 200mm; A.2-the total height of the product is bigger than 100 mm.
 **The product is shipped according to Standard Equipment (Tabl. 1), unless otherwise specified in the Additional Equipment (Tabl. 2). The complete set of the product agrees with the manager.
 ***The product is shipped according to Standard Equipment (Tabl. 1), unless otherwise specified in the Additional (Tabl. 2)
 Permissible deviation during production of products is 1-3%.
 Additional Information: _____

Rev.	Q-ty	Sh.	Nºdoc.	Sign.	Date	Stage	Sheet	Sheets	
Oil and sand Separator OilBase100-40/0 (OB1-40)									