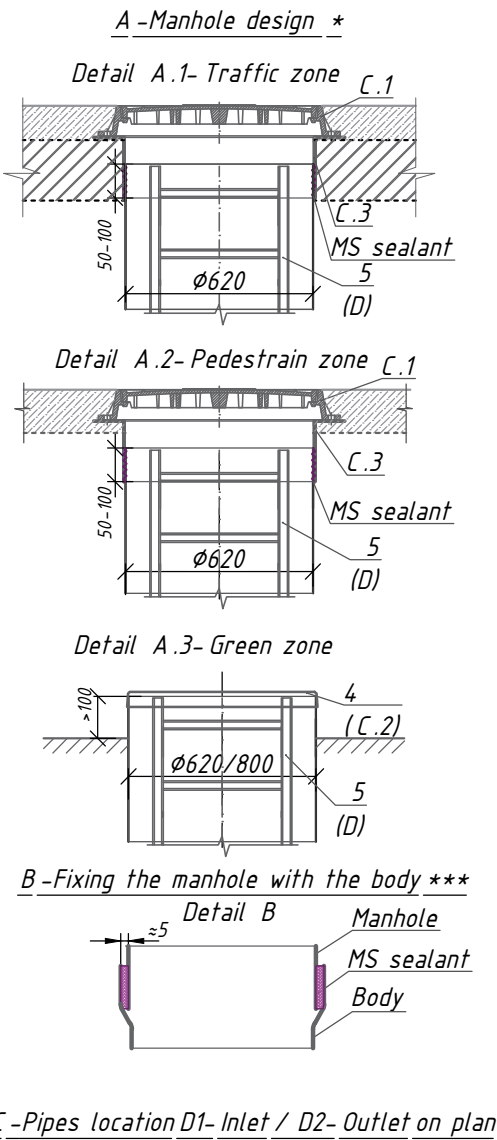
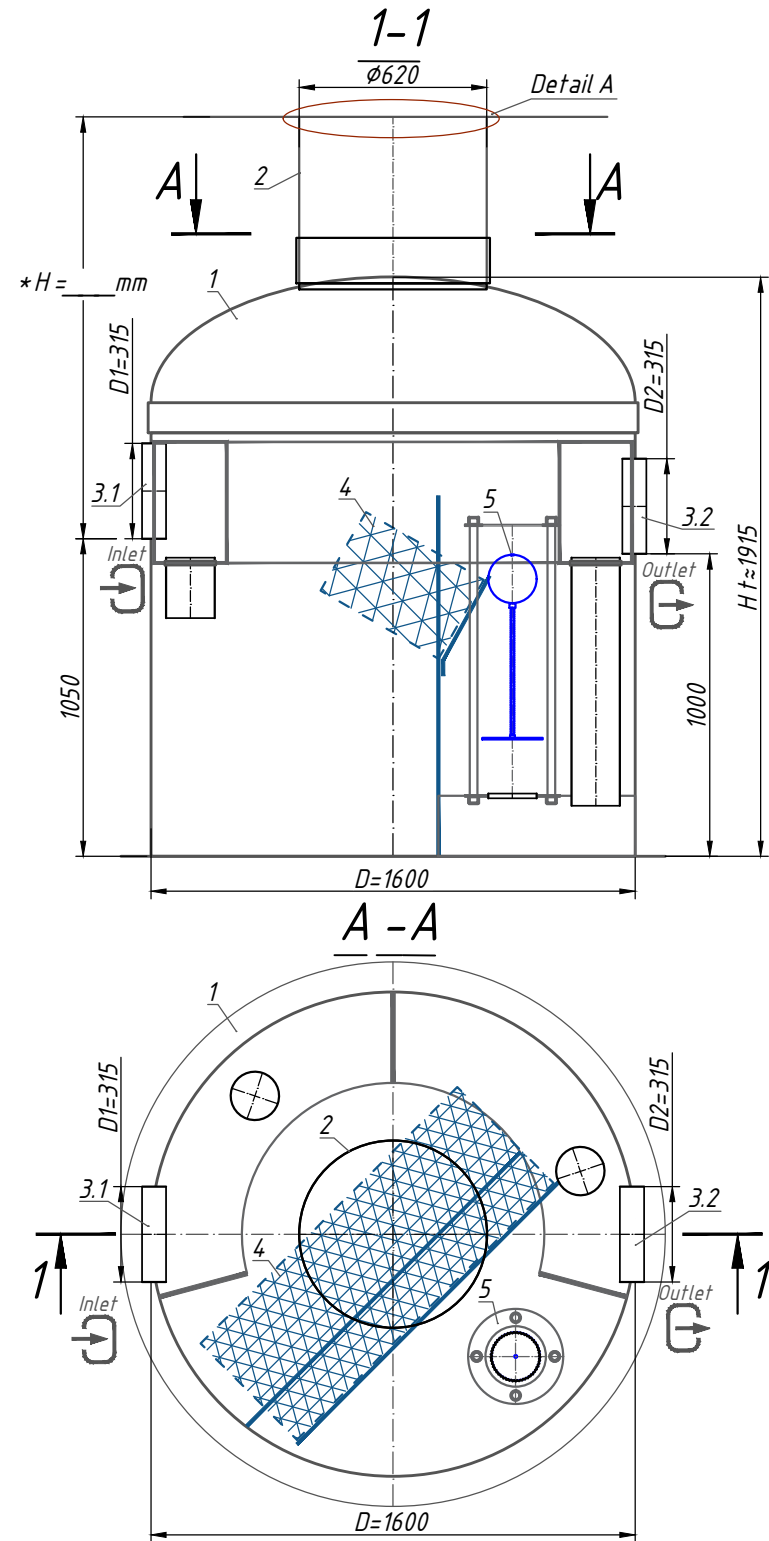
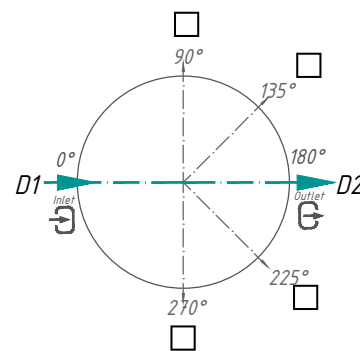


# Oil and sand Separator OilBase100 -8/40 (M 1:25)



C - Pipes location D1- Inlet / D2- Outlet on plan



## Specification of materials and equipment. Standard equipment \*\* (Tabl. 1)

Pos.	Identification	Name	Q-ty	Mass pc.,kg	Note
1	Vodaland	Oil and sand Separator Vodaland OilBase100 -8/40, disch. 8 l/s, (40 l/s -ByPass) fiberglass, D= 1600, Ht= 1915 mm	1	238	compl.
2		Inspection manhole $\phi 800 / 620$	0/ 1		compl.
3,1,3,2	D1-Inlet / D2-Outlet	Rubber seal for connection PVC SN4 $\phi 315$	2		compl.
4		Coalescent block	1		compl.
5		Automatic locking device 160	1		compl.
		Volume of light liquids	400		l
		Volume of sludge trap	800		l

\*\*The product is shipped according to Standard Equipment (Tabl. 1), unless otherwise specified in the Additional Equipment (Tabl. 2)

## Additional equipment (Tabl. 2)

Pos.	Identification	Name	Note
A, B	D1-Inlet / D2-Outlet:	<input type="checkbox"/> <input type="checkbox"/>	
	A.For connection D1, D2:	PVC	<input type="checkbox"/> <input type="checkbox"/>
		PE 100	<input type="checkbox"/> <input type="checkbox"/>
		Corsis	<input type="checkbox"/> <input type="checkbox"/>
	B.Diameter D1, D2:	D1 _____ / D2 _____	<input type="checkbox"/> <input type="checkbox"/>
		Another: _____	<input type="checkbox"/> <input type="checkbox"/>
C	Manhole design (see A.1, A.2, A.3)		
	C.1 Cover:	Garden plastic	<input type="checkbox"/>
		Load class A15	<input type="checkbox"/>
		Load class C250	<input type="checkbox"/>
		Load class D400	<input type="checkbox"/>
	C.2 Fiberglass cover:	$\phi 620$	<input type="checkbox"/>
	C.3 Fiberglass adaptor plate:	$\phi 620, h=200$ mm	<input type="checkbox"/>
		Another: _____	<input type="checkbox"/>
D	D. Universal ladder	Aluminium	<input type="checkbox"/>
		s/s	<input type="checkbox"/>
E	E. Fastening	Belt fastening for	<input type="checkbox"/>
H	H. Level sensor	Sludge	<input type="checkbox"/>
		Oil	<input type="checkbox"/>
		Another: _____	<input type="checkbox"/>

### Note:

\*H-depth of the inlet connection, mm (in standard equipment H up to 2000 mm). H take a multiple of 50mm. When filling the manhole A.1-the overall height of the product is less than 200mm; A.2-the total height of the product is bigger than 100 mm.

\*\*The product is shipped according to Standard Equipment (Tabl. 1), unless otherwise specified in the Additional Equipment (Tabl. 2). The complete set of the product agrees with the manager.

\*\*\*The product is shipped according to Standard Equipment (Tabl. 1), unless otherwise specified in the Additional (Tabl. 2) Permissible deviation during production of products is 1-3%.

### Additional Information:

\_\_\_\_\_

Rev.	Q-ty	Sh.	Nºdoc.	Sign.	Date

Stage Sheet Sheets

Oil and sand Separator OilBase100 -8/40 (OB1- 8)

