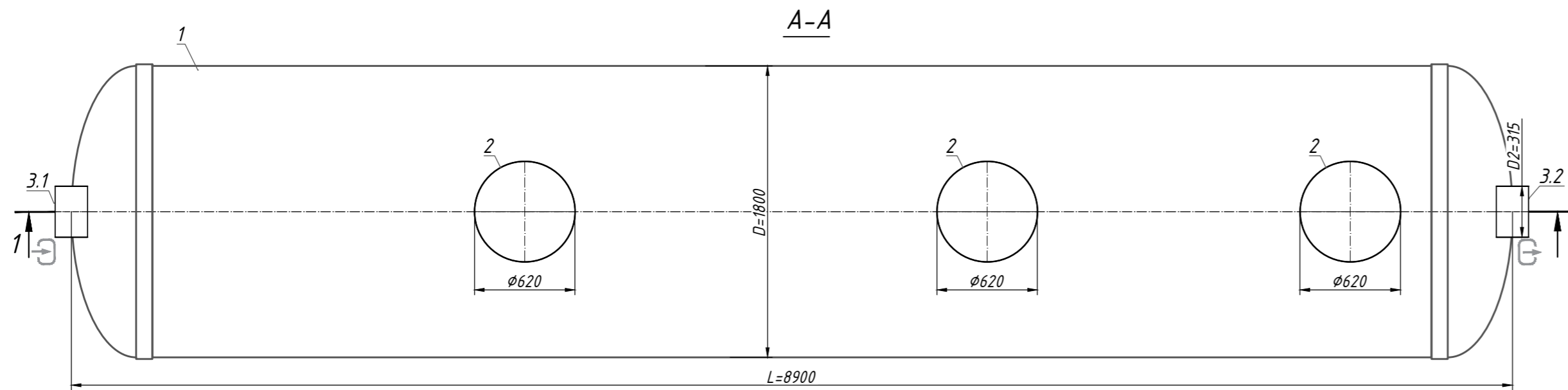
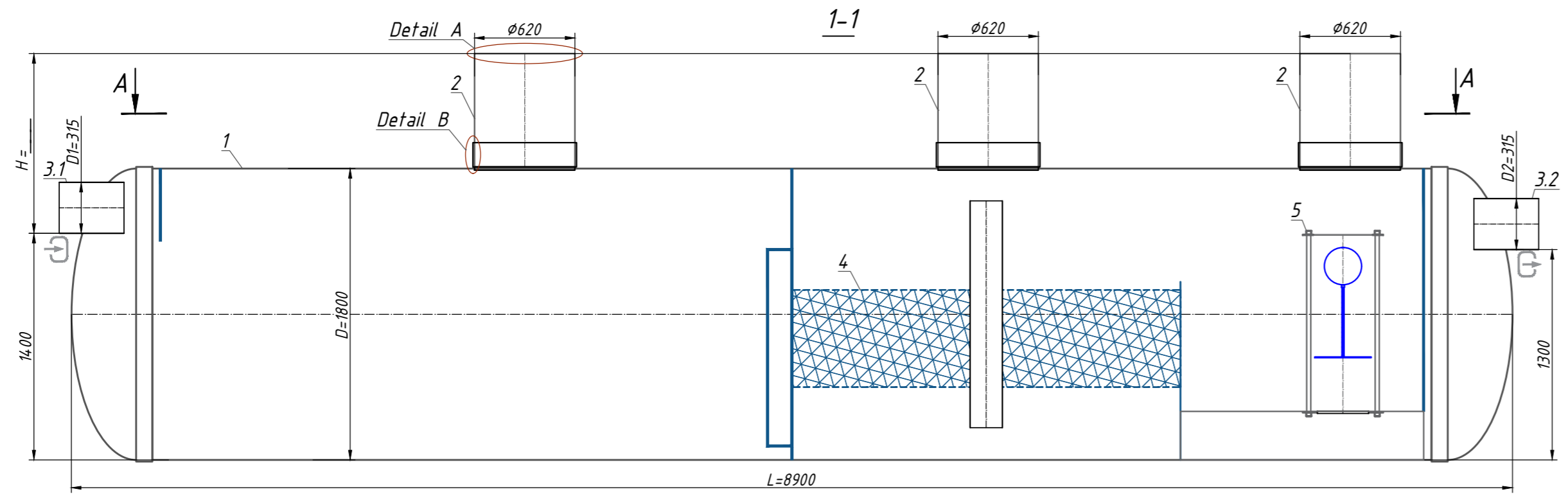


Oil Separator with sludge trap OilBaseH100 -90 (S 1:30)

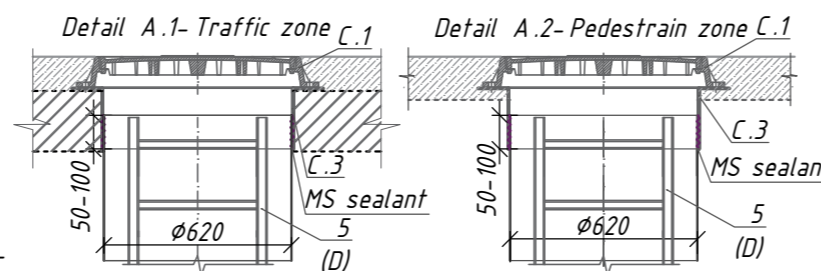


Note:

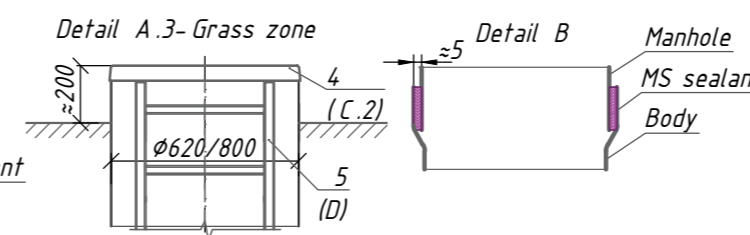
- *H-depth of the inlet connection, mm (in standard equipment H up to 2000 mm). H take a multiple of 50mm.
- When filling the manhole A.1-the overall height of the product is less than 200mm; A.2-the total height of the product is bigger than 100 mm.
- **The product is shipped according to Standard Equipment (Tabl. 1), unless otherwise specified in the Additional Equipment (Tabl. 2). The complete set of the product agrees with the manager.
- ***The product is shipped according to Standard Equipment (Tabl. 1), unless otherwise specified in the Additional (Tabl. 2) Permissible deviation during production of products is 1-3%.

Additional Information:

A -Manhole design *



B -Fixing the manhole with the body ***



*Specification of materials and equipment. Standard equipment ** (Tabl. 1)*

Pos.	Identification	Name	Q-tu	Mass ps.,kg	Note
1	Vodaland	Oil Separator with sludge trap Vodaland OilBaseH100 -90, disch 90 l/s, fiberglass, D= 1800, L= 8900	1		compl.
2		Inspection manhole φ800 / 620	0/3		compl.
3,1,3,2	D1-Inlet / D2-Outlet	For connection PVC SN4 φ 315	2		compl.
4		Coalescent block	1		compl.
5		Automatic closure device	1		compl.
		Volume of light liquids	4500		l
		Volume of sludge trap	9000		l

*** The product is shipped according to Standard Equipment (Tabl. 1), unless otherwise specified in the Additional Equipment (Tabl. 2)*

Additional equipment (Tabl. 2)

Pos.	Identification	Name			Note
A, B	D1-Inlet / D2-Outlet :		⊗	⊕	
	A. For connection D1, D2:	PVC	<input type="checkbox"/>	<input type="checkbox"/>	
		PE100	<input type="checkbox"/>	<input type="checkbox"/>	
		Corsis	<input type="checkbox"/>	<input type="checkbox"/>	
	B. Diameter D1, D2:	D1 _____ / D2 _____	<input type="checkbox"/>	<input type="checkbox"/>	
Another: _____		<input type="checkbox"/>	<input type="checkbox"/>		
C	<i>Manhole design (see A.1, A.2, A.3)</i>				
	C.1 Cover:	Garden plastic	<input type="checkbox"/>		
		Type "L" class A15	<input type="checkbox"/>		
		Type "T" class C250	<input type="checkbox"/>		
		Type "TM" class D400	<input type="checkbox"/>		
	C.2 Fiberglass cove:	φ620	<input type="checkbox"/>		
		φ620, h=200 mm	<input type="checkbox"/>		
C.3 Fiberglass adaptor plate:	φ620, h=200 mm	<input type="checkbox"/>			
	Another: _____	<input type="checkbox"/>			
D	D. Universal ladder	Aluminium	<input type="checkbox"/>		
		s/s	<input type="checkbox"/>		
E	E. Fastening	Belt fastening for	<input type="checkbox"/>		
H	H. Level sensor	Sludge	<input type="checkbox"/>		
		Oil	<input type="checkbox"/>		
		Another: _____	<input type="checkbox"/>		

Rev.	Q-tu	Sh.	№doc.	Sign	Date	Stage	Sheet	Sheets
Oil Separator with sludge trap OilBaseH100 -90 (OBH1- 90)								